



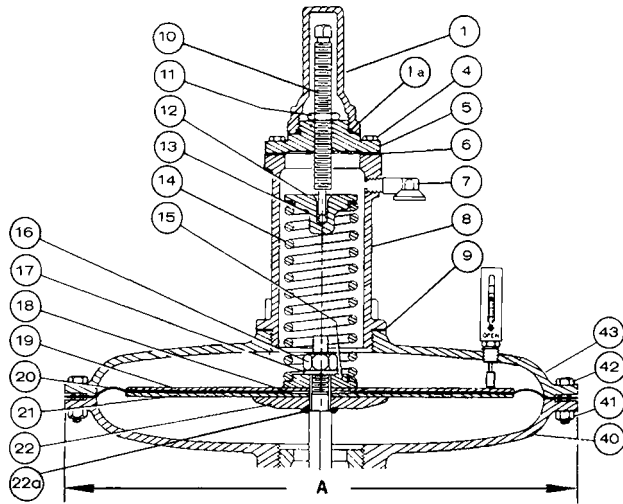
Model 441-S Regulator Parts List

Model 441-S Regulator Parts List



Energy Metering

All Models 441-S



DIAPHRAGM SIZE

Nominal Inside Diameter	A
7" Diaphragm	9 ³ / ₄ "
10" Diaphragm	13 ¹ / ₈ "
12" Diaphragm	14 ¹ / ₄ "
14" Diaphragm	16 ³ / ₈ "
16" Diaphragm	18 ³ / ₈ "
18" Diaphragm	20 ³ / ₈ "
20" Diaphragm	23 ¹ / ₈ "

All Models 441-S		
ILL. NO.	PART DESCRIPTION	PART NUMBER
1	Seal Cap	090-00-005-02
1a	Tetraseal (or O-Ring) 1 ³ / ₄ " x 2"	904092
4	Hex. Cap Screw 5/16"-18 x 7/8"	910029
5	Spring Cage Cover	091-16-080-53
6	Spring Cage Cover Gasket	090-16-066-30
7	Vent Cap, 1/4" NPT	137-02-505-02
8	Spring Cage	090-16-006-21
9	Spring Cage Gasket	090-16-066-60
10	Spring Adjusting Screw	090-16-007-02
11	Hex. Steel Jam Nut, 5/8"-11	921407
12	Top Spring Button	091-16-009-00
13	Thrust Bearing, 3/8" dia. stainless steel ball	930510
14	Spring, Aluminum color	090-70-021-00
	Spring, Green	090-70-021-01
	Spring, Yellow	090-70-021-02
	Spring, Gray	090-70-021-03
	Spring, Blue	090-70-021-04
	Spring, Red	090-70-021-05
15	Bottom Spring Button	090-16-009-00
16	Hex. Steel Nut, 5/8"-18	905993
17	Split Lockwasher, 5/8"	932531
18	Buna-N Washer, 2 used	090-16-179-03
19	Upper Diaphragm Plate, 10" diaphragm	090-70-010-01
	Upper Diaphragm Plate, 12" diaphragm	090-71-010-01
	Upper Diaphragm Plate, 14" diaphragm	090-72-010-01
	Upper Diaphragm Plate, 16" diaphragm	090-73-010-21
	Upper Diaphragm Plate, 18" diaphragm	090-74-010-01
	Upper Diaphragm Plate, 20" diaphragm	090-75-010-01

All Models 441-S		
ILL. NO.	PART DESCRIPTION	PART NUMBER
20	7" Diaphragm	090-78-150-21
	10" Diaphragm	090-70-150-20
	12" Diaphragm	090-71-150-20
	14" Diaphragm	090-72-150-20
	16" Diaphragm	090-73-150-20
	18" Diaphragm	090-74-150-20
	20" Diaphragm	090-75-150-20
21	Lower Diaphragm Plate, 10" diaphragm	090-70-060-00
	Lower Diaphragm Plate, 12" diaphragm	090-71-060-00
	Lower Diaphragm Plate, 14" diaphragm	090-72-060-00
	Lower Diaphragm Plate, 16" diaphragm	090-73-060-00
	Lower Diaphragm Plate, 18" diaphragm	090-74-060-00
	Lower Diaphragm Plate, 20" diaphragm	090-75-060-00
22	Lower Diaphragm Clamping Ring	091-00-022-01
22a	O-Ring (5/8" x 3/4")	902922
40	10" Lower Diaphragm Case, 441-S	090-70-003-10
	12" Lower Diaphragm Case, 441-S	090-71-003-00
	14" Lower Diaphragm Case, 441-S	090-72-003-00
	16" Lower Diaphragm Case, 441-S	090-73-003-00
	18" Lower Diaphragm Case, 441-S	090-74-002-10
	20" Lower Diaphragm Case, 441-S	090-75-002-10
41	Hex. Steel Nut, 3/8"-16	920053
42	Hex. Steel Bolt, 3/8"-16 x 1 ³ / ₈ " lg.	903568
43	10" Upper Diaphragm Case	090-70-003-10
	12" Upper Diaphragm Case	090-71-003-00
	14" Upper Diaphragm Case	090-72-003-00
	16" Upper Diaphragm Case	090-73-003-00
	18" Upper Diaphragm Case	090-74-002-10
	20" Upper Diaphragm Case	090-75-002-10
45*	10" Diaphragm Case Assembly, for 2" & 3" 441-S	090-70-302-00
	12" Diaphragm Case Assembly, for 2" & 3" 441-S	090-71-302-00
	14" Diaphragm Case Assembly, for 2" & 3" 441-S	090-72-302-00
	16" Diaphragm Case Assembly, for 2" & 3" 441-S	090-73-302-00
	18" Diaphragm Case Assembly, for 2" & 3" 441-S	090-74-302-00
	10" Diaphragm Case Assembly, for 4" 441-S	090-70-302-01
	12" Diaphragm Case Assembly, for 4" 441-S	090-71-302-01
	14" Diaphragm Case Assembly, for 4" 441-S	090-72-302-01
	16" Diaphragm Case Assembly, for 4" 441-S	090-73-302-01
	18" Diaphragm Case Assembly, for 4" 441-S	090-74-302-01
	20" Diaphragm Case Assembly, for 4" 441-S	090-75-302-00

*Diaphragm Case Assembly consists of Ill. Nos. 18, 19, 20, 21, 22, 40, 41, 42, and 43.



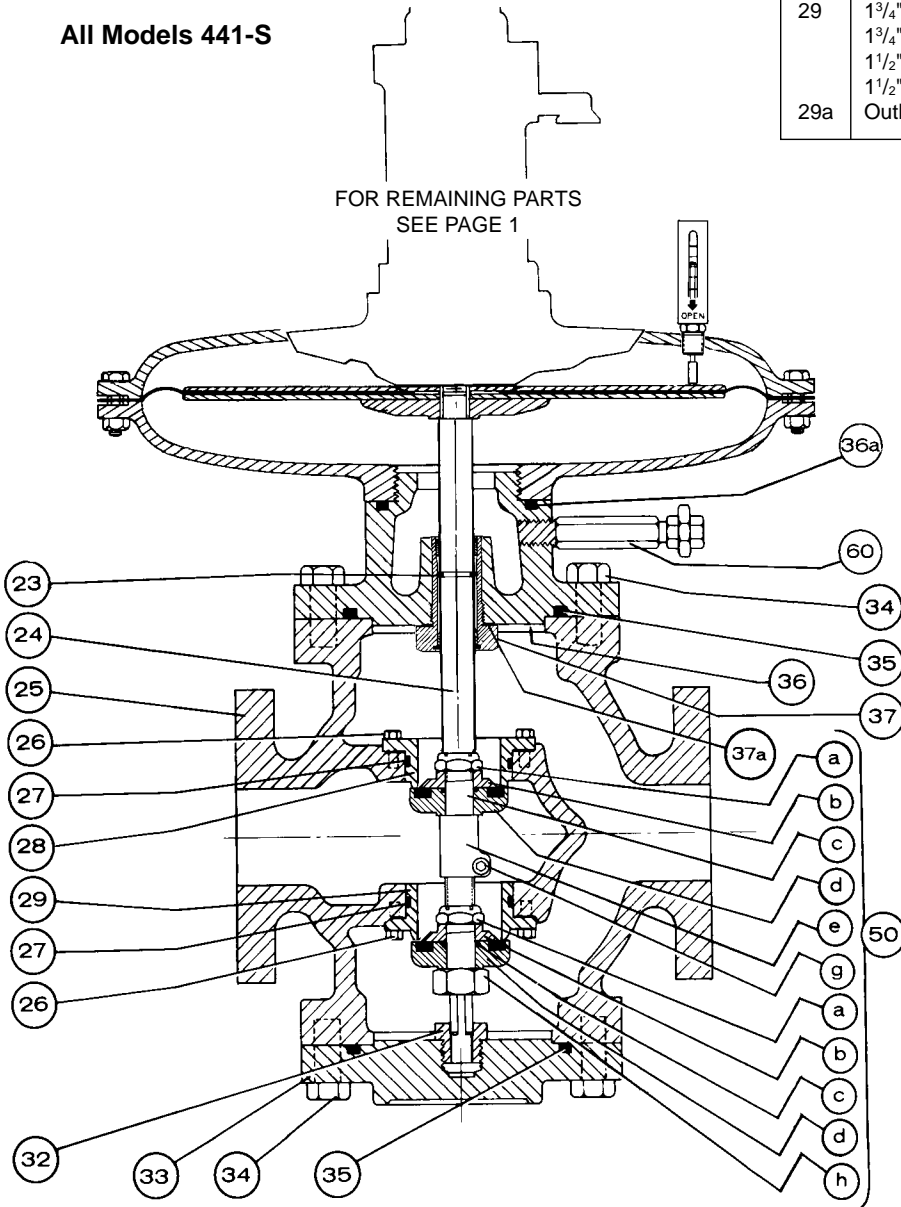
Energy Metering

All Models 441-S		
ILL. NO.	PART DESCRIPTION	PART NUMBER
45	Travel Indicator Assembly (1/4" scale)	091-00-365-61
	Travel Indicator Assembly (5/16" scale)	091-00-365-63
	Travel Indicator Assembly (5/8" scale)	091-00-365-65
	Travel Indicator Assembly (1" scale)	091-00-365-67
	Travel Indicator Assembly (1 1/4" scale)	091-00-365-69
	Travel Indicator Assembly (1 1/2" scale)	091-00-365-71
60	1/2" NPT Nipple, Orifice Plug, and Steel Union Assembly	090-16-361-00
91	Nameplate, round (not shown)	090-16-086-00
93	Rd. Hd. Machine Screw, 6"-32 x 1/4" lg. for rd. nameplate (not shown)	914402

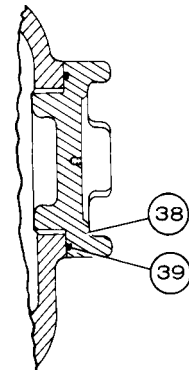
When ordering parts for a 441-S regulator, include pipe size, model number, inner valve size, and serial number if possible.

2" Models 441-S		
ILL. NO.	PART DESCRIPTION	PART NUMBER
25	2" 441 Body, screwed, 250 lb. cast iron	090-16-001-00
	2" 441 Body, flanged, ANSI 125 lb. FF, cast iron	090-16-001-01
	2" 441 Body, flanged, ANSI 250 lb. RF ductile iron	090-16-001-02
	2" 441 Body, flanged, ANSI 300 lb. RF, cast iron	090-16-001-03
26	Hex. Cap Screw, 1/4"-20 x 1/2" lg., 120,000 tensile	910001
27	O-Ring, for orifices	904832
28	1 3/4" Inlet Orifice, CRS	090-16-028-00
	1 3/4" Inlet Orifice, stainless steel	090-16-028-50
	1 1/2" Inlet Orifice, CRS	090-16-028-01
	1 1/2" Inlet Orifice, stainless steel	090-16-028-51
	Inlet Orifice, 1" valve CRS	090-16-028-02
	1 3/4" Outlet Orifice, CRS	090-16-029-00
	1 3/4" Outlet Orifice, stainless steel	090-16-029-50
	1 1/2" Outlet Orifice, CRS	090-16-029-01
29a	1 1/2" Outlet Orifice, stainless steel	090-16-029-51
	Outlet Orifice, 1" valve CRS	090-16-029-02

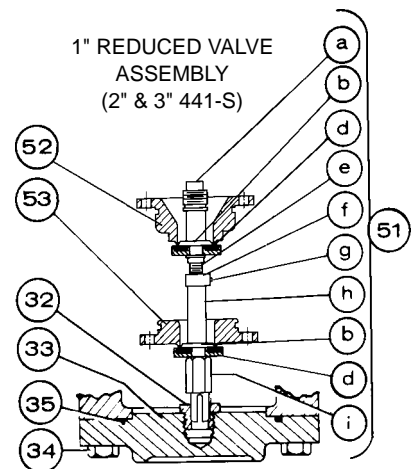
All Models 441-S



SIDE INSPECTION PLATE



1" REDUCED VALVE ASSEMBLY (2" & 3" 441-S)





Energy Metering

3" Models 441-S		
ILL. NO.	PART DESCRIPTION	PART NUMBER
25	3" 441 Body, flanged, ANSI 125 lb. FF, cast iron	090-20-001-00
	3" 441 Body, flanged, ANSI 250 lb. RF ductile iron	090-20-001-01
	3" 441 Body, flanged, ANSI 300 lb. RF, cast steel	090-20-001-04
26	Hex. Cap Screw, 1/4"-20 x 1/2" lg., 120,000 tensile	910001
27	O-Ring, for orifices	950818
28	2 1/8" Inlet Orifice, CRS	090-20-028-00
	2 1/8" Inlet Orifice, stainless steel	090-20-028-50
	1 3/4" Inlet Orifice, CRS	090-20-028-02
	1 3/4" Inlet Orifice, stainless steel	090-20-028-52
	1 1/2" Inlet Orifice, CRS	090-20-028-03
	1 1/2" Inlet Orifice, stainless steel	090-20-028-53
	Inlet Orifice, 1" valve CRS	090-20-028-04
29	2 1/8" Outlet Orifice, CRS	090-20-029-00
	2 1/8" Outlet Orifice, stainless steel	090-20-029-50
	1 3/4" Outlet Orifice, CRS	090-20-029-02
	1 3/4" Outlet Orifice, stainless steel	090-20-029-52
	1 1/2" Outlet Orifice, CRS	090-20-029-03
	1 1/2" Outlet Orifice, stainless steel	090-20-029-53
	Outlet Orifice, 1" valve CRS	090-20-029-04
50	Valve Assembly, 2 1/8", brass trim, Buna-N (Black, 50 to 55 Duro)	090-20-515-30
	Valve Assembly, 2 1/8", stainless steel trim, Buna-N (Black, 50 to 55 Duro)	090-20-515-50
	Valve Assembly, 2 1/8", brass trim, Polyurethane (Red, 65 to 75 Duro)	090-20-515-40
	Valve Assembly, 2 1/8", stainless steel trim, Polyurethane (Red, 65 to 75 Duro)	090-20-515-60
50b	Valve Retainer, standard, steel, 2 1/8"	090-20-018-00
	Valve Retainer, standard, stainless steel, 2 1/8"	090-20-018-30
	Valve Retainer, v-port wings, steel, 2 1/8"	090-20-012-50
	Valve Retainer, v-port wings, stainless steel, 2 1/8"	090-20-012-51
50d	Molded Valve, 2 1/8", Buna-N (Black, 50 to 55 Duro) all trim	090-20-315-00
	Molded Valve, 2 1/8", Polyurethane (Red, 65 to 75 Duro) all trim	090-20-315-02

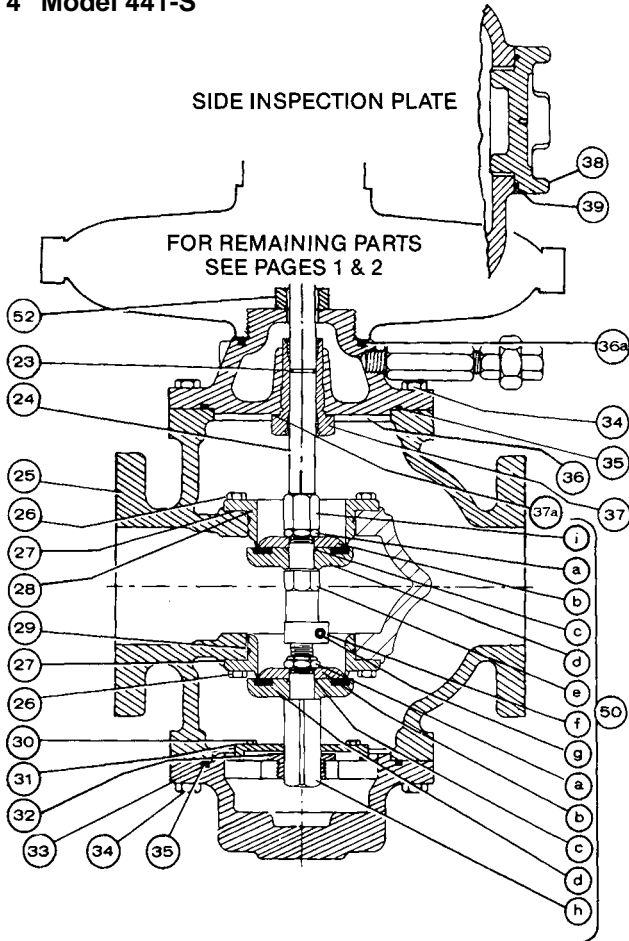
2" and 3" Models 441-S		
ILL. NO.	PART DESCRIPTION	PART NUMBER
23	O-Ring, 1 1/16" x 7/8"	934013
24	Diaphragm Connecting Stem, stainless steel	090-16-058-00
32	Guide Bushing with Pin, brass	090-16-385-01
	Guide Bushing with Pin, stainless steel	090-16-385-03
33	Bottom Plate, 8 bolt, for screwed & flanged 125 & 250 lb. bodies	090-16-004-01
	Bottom Plate, 8 bolt, for screwed & flanged 300 & 600 lb. steel bodies	090-16-004-06
34	Hex. Cap Screw, 1/2"-13 x 1 1/4"	910106
35	Tetraseal (or O-Ring), 4 3/8" x 4 5/8"	904085
36	Centerpiece, 4 bolt, for flanged 125 lb. bodies (Iron)	090-16-275-60
	Centerpiece, 8 bolt, for screwed & flanged bodies (Steel)	090-16-275-61
36a	Tetraseal (or O-Ring), 4" x 4 1/4"	904084

2" and 3" Models 441-S		
ILL. NO.	PART DESCRIPTION	PART NUMBER
37	Stem Bushing Assembly	090-16-373-00
37a	Seal Washer	090-26-178-00
38	Side Plate, iron, for 2" & 3" cast iron bodies	090-16-072-06
	Side Plate, ductile, for 2" & 3" ductile bodies	090-16-072-00
	Side Plate, steel, for 2" & 3" steel bodies	090-16-072-01
39	Tetraseal (or O-Ring), 3 1/4" x 3 1/2"	904078
50	Valve Assembly, 1 3/4", Std trim, Buna-N (Black, 50 to 55 Duro)	090-16-515-27
	Valve Assembly, 1 3/4", stainless steel trim, Buna-N (Black, 50 to 55 Duro)	090-16-515-50
	Valve Assembly, 1 1/2", Std trim, Buna-N (Black, 50 to 55 Duro)	090-16-515-31
	Valve Assembly, 1 1/2", stainless steel trim, Buna-N (Black, 50 to 55 Duro)	090-16-515-51
50a	Valve Retaining Nut, 5/8"-18	905564
50b	Valve Retainer, std., steel, 1 3/4"	090-16-018-00
	Valve Retainer, std., stainless steel, 1 3/4"	090-16-018-30
	Valve Retainer, v-port wings, steel, 1 3/4"	090-16-012-50
	Valve Retainer, v-port wings, stainless steel, 1 3/4"	090-16-012-53
	Valve Retainer, std., steel, 1 1/2"	090-16-018-01
	Valve Retainer, std., stainless steel, 1 1/2"	090-16-018-31
	Valve Retainer, v-port wings, steel, 1 1/2"	090-16-012-52
	Valve Retainer, v-port wings, stainless steel, 1 1/2"	090-16-012-55
50c	O-Ring, 5/8" x 13/16"	934012
50d	Molded Valve, 1 3/4", Buna-N (Black, 50 to 55 Duro), all trim	090-16-315-00
	Molded Valve, 1 1/2", Buna-N (Black, 50 to 55 Duro), all trim	090-16-315-01
	Molded Valve, 1 3/4", Polyurethane (Red, 65 to 75 Duro), all trim	090-16-315-02
	Molded Valve, 1 1/2", Polyurethane (Red, 65 to 75 Duro), all trim	090-16-315-03
50e	Female Valve, Stem, brass	090-16-116-00
	Female Valve, Stem, stainless steel	090-16-116-01
50g	Adjustment Clamp Screw, Soc. Hd. Screw, 10-24 x 1/2" lg.	903486
	Adjustment Clamp Screw, for 1 1/2" valve only	090-16-046-01
50h	Male Valve Stem, brass	090-16-016-01
	Male Valve Stem, stainless steel	090-16-016-02
51	Valve Assembly	
51a	Stem Extension, stainless steel, 1" valve	090-16-125-01
51b	Valve Retainer, stainless steel, 1" valve	091-16-018-01
51d	Molded Valve, 1", Buna-N (Black, 50 to 55 Duro), all trim	091-16-315-01
	Molded Valve, 1", Polyurethane (Red, 65 to 75 Duro), all trim	091-16-315-11
	Molded Valve, 1", Viton (stamped V, 65 to 75 Duro), all trim	091-16-315-13
51e	Male Valve Stem, stainless steel, 1" valve	090-16-016-21
51f	Valve Stem Locking Ring, stainless steel, 1" valve	091-16-043-01
	Set Screw, Hex. Soc. Cup Pt., #12-24 x 1/4" lg.	907694
51h	Female Valve Stem, stainless steel, 1" valve	090-16-116-21
51i	Valve Guide, stainless steel, 1"	090-16-012-31
52	Inlet Orifice, 1", CRS	090-16-028-02
	Inlet Orifice, 1", stainless steel	090-16-028-55
53	Outlet Orifice, 1", CRS	090-16-029-02
	Outlet Orifice, 1", stainless steel	090-16-029-55



Energy Metering

4" Model 441-S

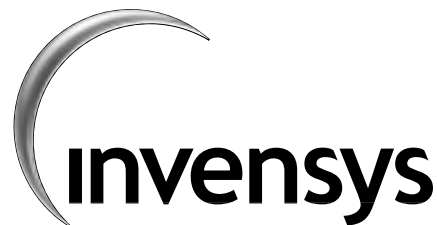


4" Model 441-S		
ILL. NO.	PART DESCRIPTION	PART NUMBER
23	O-Ring, $1\frac{1}{16}$ " x $\frac{7}{8}$ " O.D.	934013
24	Diaphragm Connecting Stem, stainless steel	090-16-058-00
25	4" 441 Body, flanged ANSI 125 lb. FF, cast iron	090-22-001-00
	4" 441 Body, flanged ANSI 250 lb. RF, ductile iron	090-22-001-01
	4" 441 Body, flanged ANSI 300 lb. RF, cast steel	090-22-001-04
26	Hex. Cap Screw, $\frac{3}{8}$ "-16 x $\frac{3}{4}$ " lg., 120,000 tensile	910053
27	O-Ring, for orifices	905583
28	3" Inlet Orifice, CRS	090-22-028-00
	3" Inlet Orifice, stainless steel	090-22-028-50
	$2\frac{1}{8}$ " Inlet Orifice, CRS	090-22-028-02
	$2\frac{1}{8}$ " Inlet Orifice, stainless steel	090-22-028-52
	$1\frac{3}{4}$ " Inlet Orifice, CRS	090-22-028-01
	$1\frac{3}{4}$ " Inlet Orifice, stainless steel	090-22-028-51
29	3" Outlet Orifice, CRS	090-22-029-00
	3" Outlet Orifice, stainless steel	090-22-029-50
	$2\frac{1}{8}$ " Outlet Orifice, CRS	090-22-029-02
	$2\frac{1}{8}$ " Outlet Orifice, stainless steel	090-22-029-52
	$1\frac{3}{4}$ " Outlet Orifice, CRS	090-22-029-01
	$1\frac{3}{4}$ " Outlet Orifice, stainless steel	090-22-029-51
30	Hex. Cap Screw, $\frac{3}{8}$ "-16 x 1" lg.	910055
31	Spin Stop Plate	090-22-040-01
32	Guide Bushing, brass	090-22-074-00
	Guide Bushing, stainless steel	090-22-074-01

4" Model 441-S		
ILL. NO.	PART DESCRIPTION	PART NUMBER
33	Bottom Plate, iron, 8 bolt	090-22-004-30
	Bottom Plate, ductile iron, 8 bolt	090-22-004-51
	Bottom Plate, steel, 8 bolt	090-22-004-71
34	Hex. Cap Screw, $\frac{5}{8}$ "-11 x $1\frac{1}{2}$ "	910157
	Hex. Cap Screw, $\frac{5}{8}$ "-11 x $1\frac{3}{4}$ " for ductile bottom plate	910158
35	Tetraseal (or O-Ring), $6\frac{1}{4}$ " x $6\frac{1}{2}$ "	904080
36	Centerpiece, 8 bolt	090-22-275-00
	Centerpiece, steel, 8 bolt	090-22-275-03
36a	Tetraseal (or O-Ring), 4" x $4\frac{1}{4}$ "	904084
37	Stem Bushing Assembly	090-16-373-02
37a	Seal Washer	090-26-178-00
38	Side Plate, ductile, for 4" cast and ductile bodies	090-22-072-00
	Side Plate, steel, for 4" steel bodies	090-22-072-01
39	Tetraseal (or O-Ring), $4\frac{1}{4}$ " x $4\frac{1}{2}$ "	904083
50	Valve Assembly, 3", Std trim, Buna-N (Black, 50 to 55 Duro)	090-22-515-30
	NOTE: For other Valve Assemblies see RP-1360	
50a	Valve Retaining Nut, $\frac{3}{4}$ "-16	090-22-034-00
50b	Valve Retainer, standard, 3"	090-22-018-03
	Valve Retainer, stainless steel, 3"	090-22-018-00
	Valve Retainer, v-port wings, standard, 3"	090-22-012-20
	Valve Retainer, v-port wings, stainless stl, 3"	090-22-012-40
	Valve Retainer, standard, $2\frac{1}{8}$ "	090-22-018-01
	Valve Retainer, stainless steel, $2\frac{1}{8}$ "	090-22-018-31
	Valve Retainer, v-port wings, standard, $2\frac{1}{8}$ "	090-22-012-50
	Valve Retainer, v-port wings, stainless steel, $2\frac{1}{8}$ "	090-22-012-51
	Valve Retainer, stainless steel, $1\frac{3}{4}$ "	090-22-018-34
50c	O-Ring, $\frac{13}{16}$ " x 1"	904173
50d	Molded Valve, 3", Buna-N (Black, 50 to 55 Duro), all trim	090-22-315-00
	Molded Valve, $2\frac{1}{8}$ ", Buna-N (Black, 50 to 55 Duro), all trim	090-22-315-01
	Molded Valve, $1\frac{3}{4}$ ", Buna-N (Black, 50 to 55 Duro), all trim	090-22-315-04
	Molded Valve, 3", Polyurethane (Red, 65 to 75 Duro), all trim	090-22-315-02
	Molded Valve, $2\frac{1}{8}$ ", Polyurethane (Red, 65 to 75 Duro), all trim	090-22-315-03
	Molded Valve, $1\frac{3}{4}$ ", Polyurethane (Red, 65 to 75 Duro), all trim	090-22-315-05
50e	Female Valve Stem, brass	090-22-016-40
	Female Valve Stem, stainless steel	090-22-016-41
50f	Adjustment Clamp Ring, stainless steel	090-22-043-02
50g	Adjustment Clamp Screw, soc. hd. screw, $\frac{1}{4}$ "-20 x $\frac{3}{4}$ " lg.	903494
50h	Male Valve Stem, stainless steel	090-22-116-01
50i	Stem Extension, stainless, for 20" diaphragm only	090-22-058-40
	Stem Extension, stainless, for 18" and smaller diaphragms	090-22-058-41
50j	Locknut (314-16)	903958
52	Travel Stop, for 3" valves	090-22-040-51
	Travel Stop, for $2\frac{1}{8}$ " and $1\frac{3}{4}$ " valves (20" Case Only)	090-22-040-55

Invensys Energy Metering
805 Liberty Boulevard, DuBois, PA 15801
(814) 371-8000
FAX (814) 375-8460
www.invensysenergymetering.com

Representatives in all principal cities.
Distributors throughout the world.



Energy Metering

Invensys Energy Metering
805 Liberty Boulevard
P.O. Box 528
DuBois, PA 15801



Authorized Distributor:

LIMITED WARRANTY Seller warrants the Goods to be free from defects in materials manufactured by Seller and in Seller's workmanship for a period of **[one (1) year]** after tender of delivery (the "Warranty Period"). **THIS LIMITED WARRANTY (a) IS IN LIEU OF, AND SELLER DISCLAIMS AND EXCLUDES, ALL OTHER WARRANTIES, STATUTORY, EXPRESS OR IMPLIED, INCLUDING, WITHOUT LIMITATION, ANY WARRANTY OF MERCHANTABILITY OR FITNESS FOR A PARTICULAR PURPOSE, OR OF CONFORMITY TO MODELS OR SAMPLES; (b)** does not apply to any Goods which have been (i) repaired, altered or improperly installed; (ii) subjected to improper use or storage; (iii) used or incorporated with other materials or equipment, after Buyer or anyone using the Goods has, or reasonably should have, knowledge of any defect or nonconformance of the Goods; or (iv) manufactured, fabricated or assembled by anyone other than Seller; **(c)** shall not be effective unless Buyer notifies Seller in writing of any purported defect or nonconformance within **[thirty (30) days]** after Buyer discovers or should have reasonably discovered such purported defect or nonconformance; and **(d)** shall only extend to Buyer and not to any subsequent buyers or users of the Goods. Buyer shall provide Seller access to the Goods as to which Buyer claims a purported defect or nonconformance; upon request by Seller, Buyer shall, at its own risk and expense, promptly return the Goods in question to Seller's Plant.