

Model 143-80 Service Regulator

Installation and Maintenance Instructions



The Model 143-80 is an excellent general purpose gas pressure regulator. It can be used for natural gas, air, CO₂, propane, butane, nitrogen, and other gases. It can be used for gas services to homes, commercial establishments and small industries, for burners, unit heaters, boilers, and other equipment. Model 143-80-1 is a standard regulator. The Model 143-80-2 includes an internal relief valve. The 143-80-2 is also available with a low pressure cut-off, designated as the model 143-80-6.

Installation and Start-Up

1. Remove the shipping plugs from both the regulator inlet and outlet connections.
2. Make certain that the inside of the piping and the regulator inlet and outlet connections are clean. The connections must be free of dirt, dope and other debris.
3. Use pipe joint material only on the male threads of the pipe being connected to the regulator. Do not use pipe joint material on the female threads of the regulator.
4. Install the regulator in the piping. Make certain that the gas flow through the regulator is in the direction as indicated by the arrow on the regulator body.

The regulators may be installed in any position: right side up, upside down, vertical piping, diagonal piping, etc.,. If required, the diaphragm case may be rotated 360° in any angle increment. To rotate the 143-80 diaphragm case, loosen the coupling nut (12) and reposition the diaphragm case to the desired position. Retighten the coupling nut (12) to reseal the regulator.

The diaphragm case vent (11) should be positioned to minimize the chances of moisture collecting on the vent side of the diaphragm.

The diaphragm case vent must be positioned to protect against flooding, rain, ice formation, traffic, tampering, etc. The vent must be protected against nest building animals, bees, insects, etc. to prevent vent blockage and minimize the chances for foreign material from collecting in the vent side of the regulator diaphragm. If required, the upper diaphragm case (4) may be rotated by removing the upper-to-lower case flange screws (10) and rotating the upper diaphragm case to the desired position. Reinstall the diaphragm flange screws and tighten to hold the diaphragm case in position and reseal.

CAUTION:

Turn the gas on very slowly. If an outlet stop is used, it should be opened first. Do not overload the diaphragm with a sudden surge of inlet pressure. Monitor the outlet pressure during start-up to prevent an outlet pressure overload.

5. Turn the gas on very slowly.
6. For the Model 143-80-6 Low Pressure Cut-off, remove cap (1) and pull up the diaphragm post to reset the LPCO valve.
7. Make certain that there are no leaks and that all connections are tight.
8. Adjust outlet pressure (set point) by removing cap (1) and turning adjustment spring button (2). Turn clockwise to increase and counter-clockwise to decrease outlet pressure. Only adjust when gas is flowing through regulator. Be sure to reinstall cap.

CAUTION:

It is the user's responsibility to assure that all regulator vents and/or vent lines exhaust to a non-hazardous location away from ANY POTENTIAL sources of ignition. Where vent lines are used, it is the user's responsibility to assure that each regulator is individually vented and that common vent lines ARE NOT used.

9. The vent connection is an escape path for the regulated gas. Depending upon the type of gas, it could be flammable as with natural gas and propane. Therefore, the vent connection needs to be located and/or piped so that potential discharge occurs in a safe area away from buildings, open flames, collection areas, arcing devices, etc.

Regulators that are installed indoors or in a non-vented area must be vented to the outside. Run vent piping from the regulator vent connection to a non-hazardous location on the outside away from any potential sources of ignition.

For regulators equipped with internal relief valves (IRV), Models 143-80-2, 143-80-2HP and 143-80-6, the vent piping must be vent connection size or larger and its length be as short and direct as possible to a safe area. This is to assure the venting of the internal relief valve discharge to the atmosphere without excessive pressure increase in the regulator and downstream piping.

Continued on back.



The outlet of the vent piping must allow for free and unobstructed passage of air and gas and must be protected

Continued on back.

against the potentials listed in instructions #4, #8 and #9.

10. For outdoor installations, it is recommended that the regulator be installed so that the regulator vent faces downward to avoid the potential for water and other foreign matter entering the regulator and interfering with the proper operation of the regulator.

CAUTION:

Regulators are pressure control devices with numerous moving parts subject to wear that is independent upon particular operating conditions. To assure continuous satisfactory operation, a periodic inspection schedule must be adhered with the frequency of inspection determined by the severity of service and applicable laws and regulations

Servicing

1. To access valve (7), orifice (6), or diaphragm assembly (8), first remove spring compression by unscrewing the spring cap (1) and spring adjustment ferrule (2). Remove spring (3) from regulator.
2. For access to the valve (7) and orifice (6), completely loosen the coupling nut (12) and remove diaphragm case assembly from body (5).
3. To replace Buna-Nitrile valve pad (7), simply pull off of valve stem (9) and replace with new pad.
4. To replace orifice (6), unscrew from body using a 1" hex socket wrench "thin-wall" type. Apply sealant on threads of orifice when installing replacement orifice. Re-screwing replacement orifice must be installed at 50-60 ft-lbs. of torque.
5. To replace diaphragm assembly, remove flange screws (10) and disassemble diaphragm assembly. Make certain all parts are reassembled in their correct order and all threads and joints are tightened evenly and firmly.
6. Before reassembling body to diaphragm case, make certain that the o-ring is in position.

Over Pressurization Protection

Protection must be provided for the downstream piping system and the regulator's low pressure chambers to assure against the potential for over pressurization due to a regulator malfunction or a failure of the regulator to lock up. The allowable over-pressurization is the lowest of the maximum pressures permitted by federal codes, state codes, Sensus Bulletin RDS-1498, or other applicable standards. The methods of providing over-pressure protection could be a relief valve, a monitor regulator, a shut-off valve or similar device.

Buried Service

The Model 143-80 regulator is not recommended for buried service.

Temperature Limits

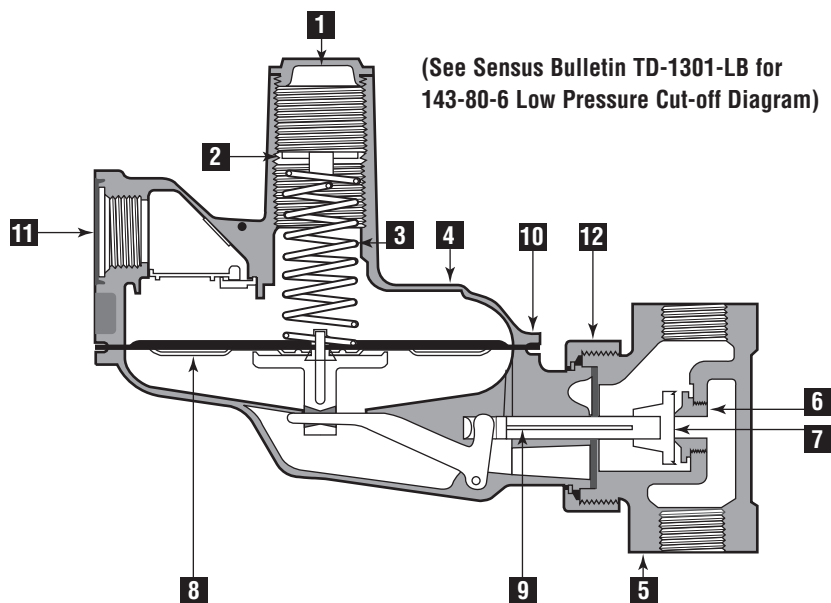
The Model 143-80 regulator can be used for the flowing temperature of -20°F to 150°F (-28.9°C to 65.5°C).

Maximum Emergency Pressures

The maximum pressure the regulator inlet may be subjected under abnormal conditions without causing damage to the regulator is: Maximum Inlet Pressure plus 50 psi. For the Low Pressure Cut-off version, Model 143-80-6 it is Maximum Inlet Pressure plus 10 psi.

The maximum pressure to which the regulators case may be subjected under abnormal conditions without causing damage to the internal parts is: Set point plus 3 psi. If the outlet pressure exceeds this pressure, the regulator must be removed from service and carefully inspected. Damaged or otherwise unsatisfactory parts must be replaced before returning the regulator to service.

The maximum outlet pressure that can be safely contained in the diaphragm case is 10 psi (safely contained means no leakage as well as no bursting.)



805 Liberty Boulevard
DuBois, PA 15801
800-375-8875
Fax: (814) 375-8460
www.sensus.com
(open "North America Gas")