

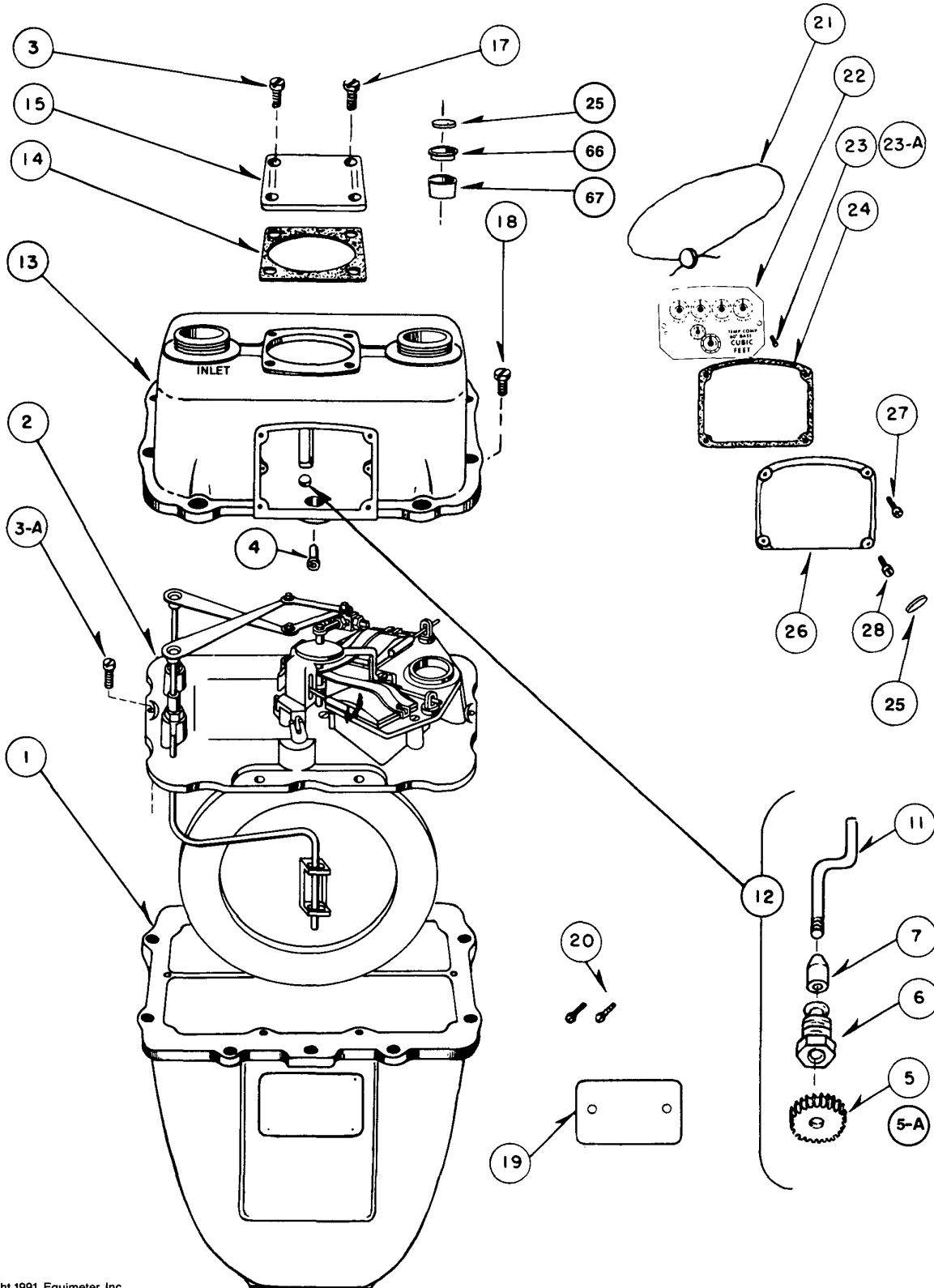


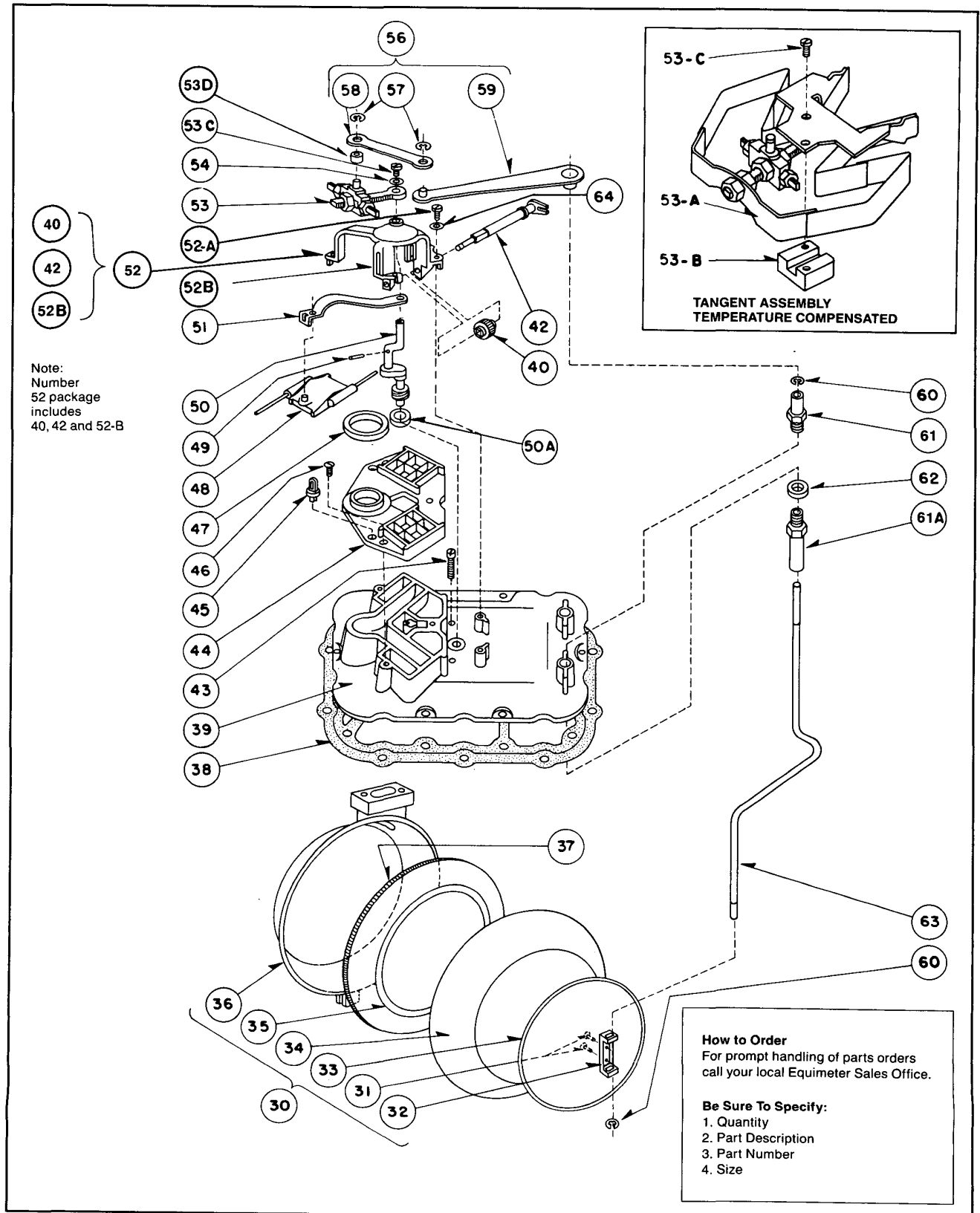
A BTR Company

**Parts List  
Models R-200, R-275, R-315  
Residential Gas Meters**

---

**Parts List  
MODELS R-200, R-275, R-315  
Residential Gas Meters**





**Models R-200, R-275, R-315 Residential Gas Meters**

ILL. NO.	PCS. PER PKG.	DESCRIPTION	PART NUMBER		
			R-200	R-275	R-315
1	2	Body, No Drains, 5 psig Test	001-63-001-29000	001-63-001-29000	001-63-001-29000
	2	Body, No Drains, 10 psig Test	001-63-001-29777	001-63-001-29777	001-63-001-29777
2	1	Valve Plate Assembly, Uncalibrated, Standard NTC	001-63-502-54	001-63-502-06	001-63-502-06
	1	Valve Plate Assembly, Uncalibrated, Temperature Compensated	001-63-502-55	001-63-502-07	001-63-502-07
3	100	Hand Hole Plate Screws, (#10-24 x 7/16")	950325	950325	950325
3A	100	Valve Plate Screws, (#10-24 x 7/16")	950652	950652	950652
4	10	Cover Index Shaft Bushing	001-60-052-62	001-60-052-62	001-60-052-62
5	25	Index Shaft Gear (11 Teeth for 2 Ft. Index)	001-63-086-03	001-63-086-03	001-63-086-03
5A	25	Index Shaft Gear (24 Teeth for 1 Ft. Index)	001-63-086-05	001-63-086-05	001-63-086-05
6	100	Index Shaft Gland	001-63-023-00	001-63-023-00	001-63-023-00
7	100	Index Shaft Seal (Synthetic)	001-63-350-01	001-63-350-01	001-63-350-01
11	25	Stuffing Box Shaft	001-63-054-05	001-63-054-05	001-63-054-05
	1 lb.	Stuffing Box Lubricant	950505	950505	950505
12		Stuffing Box Assembly (24 T. Gear for 1 Ft. Index)	001-63-423-25	001-63-423-25	001-63-423-25
		Stuffing Box Assembly (11 T. Gear for 2 Ft. Index)	001-63-423-22	001-63-423-22	001-63-423-22
*13	5	Cover Assemblies, 5 psig Test			
		Cover Assembly (1 1/4" Spuds, 24 T. Gear for 1 Ft. Index)	001-63-203-78	001-63-203-78	001-63-223-70
		Cover Assembly (#1A Sprague, 24 T. Gear for 1 Ft. Index)	001-63-203-79	001-63-203-79	001-63-223-72
		Cover Assembly (30 Lt. Spuds, 11 T. Gear for 2 Ft. Index)	001-63-203-61	001-63-203-61	001-63-223-54
		Cover Assembly (1 1/4" Spuds, 11 T. Gear for 2 Ft. Index)	001-63-203-62	001-63-203-62	001-63-223-55
		Cover Assembly (20 Lt. Spuds, 11 T. Gear for 2 Ft. Index)	001-63-203-63	001-63-203-63	001-63-223-56
		Cover Assembly (#2 Sprague, 11 T. Gear for 2 Ft. Index)	001-63-203-66	001-63-203-66	001-63-223-58
		Cover Assembly (10 Lt. Spuds, 11 T. Gear for 2 Ft. Index)	001-63-203-64	001-63-203-64	001-63-223-60
		Cover Assembly (#1A Sprague, 11 T. Gear for 2 Ft. Index)	001-63-203-65	001-63-203-65	001-63-223-57
		Cover Assembly (45 Lt. Spuds, 11 T. Gear for 2 Ft. Index)	—	—	001-63-223-59
		Cover Assembly (30 Lt., 24 T. Gear for 1 Ft. Index)	001-63-203-81	001-63-203-81	001-63-223-62
		Cover Assembly (20 Lt., 24 T. Gear for 1 Ft. Index)	001-63-203-80	001-63-203-80	001-63-223-64
		Cover Assembly (10 Lt., 24 T. Gear for 1 Ft. Index)	001-63-203-89	001-63-203-89	001-63-223-82
14	100	Hand Hole Plate Gasket (Cork Rubber)	001-63-160-50	001-63-160-50	001-63-160-50
15	5	Hand Hole Plate, 5 psig Test	001-60-004-00000	001-60-004-00000	001-60-004-00000
		Hand Hole Plate, 10 psig Test	001-60-004-00777	001-60-004-00777	001-60-004-00777
17	100	Hand Hole Plate Seal Screw (#10-24 x 9/16" Fillister Head Drilled)	001-60-056-06	001-60-056-06	001-60-056-06
18	100	Cover Screws (1/4-20 x 3/4" Fillister Head Machined)	950327	950327	950327
19	100	Customers Nameplate	001-41-030-21	001-41-030-21	001-41-030-21
	100	Manufacturers Nameplate, Standard	001-63-030-80555	001-63-030-66555	001-63-030-67555
	100	Manufacturers Nameplate, Temperature Compensated	001-63-030-63555	001-63-030-64555	001-63-030-65555
20	100	Drive Screws (Nameplate) 2 x 1/8"	903003	903003	903003
21	100	Seal Wire	001-63-057-50	001-63-057-50	001-63-057-50
		Lead Seal	001-60-157-00	001-60-157-00	001-60-157-00
22	10	Index C.R. (2 Ft. and 1/2 Ft. Test Hand), Plastic	001-63-538-05	001-63-538-05	001-63-538-05
		Index C.R. (2 Ft. Test Hand), Plastic	001-63-538-10	001-63-538-10	001-63-538-10
		Index D.R. (2 Ft. Test Hand)	001-63-538-72	001-63-538-72	001-63-538-72
		Index D.R. (1 Ft. Test Hand) (4 Wheel)	001-63-538-66	001-63-538-66	001-63-538-66

\*Does not include Hand Hole Plate



A BTR Company

**Models R-200, R-275, R-315 Residential Gas Meters**

ILL. NO.	PCS. PER PKG.	DESCRIPTION	PART NUMBER		
			R-200	R-275	R-315
23	100	Index Mounting Screws (#6-32 x 1/2" Fillister Head) (All Brass Indexes)	919656	919656	919656
23A	100	Index Mounting Screws (#6-32 x 5/8" Fillister Head) (All Plastic Indexes)	919657	919657	919657
23B		Spacer for Brass D.R. Index	001-60-197-61	001-60-197-61	001-60-197-61
24	50	Index Box Gasket (Cork Rubber)	001-63-170-02	001-63-170-02	001-63-170-02
25		Rockseal	001-63-056-05	001-63-056-05	001-63-056-05
26	20	Index Box, Molded Lexan with vents	001-63-006-05	001-63-006-05	001-63-006-05
27	100	Index Box Seal Screw (#10-24 x 1/16" Fillister Head Steel, Drilled)	001-63-056-06	001-63-056-06	001-63-056-06
28	100	Index Box Screw (#10-24 x 1/16" Fillister Head Steel)	950525	950525	950525
30	1 Set	Diaphragm Assembly Right Hand (Synthetic) Standard "EB"	001-63-550-72	001-63-550-72	001-63-550-72
		Diaphragm Assembly Left Hand (Synthetic) Standard "EB"	001-63-650-72	001-63-650-72	001-63-650-72
31	100	Diaphragm Bracket Rivet (.098 x 5/32")	902435	902435	902435
32	10	Diaphragm Bracket	001-63-103-50	001-63-103-50	001-63-103-50
33	10	Diaphragm Disc, Outer	001-63-127-00	001-63-127-00	001-63-127-00
34	10	Diaphragm Fabric (Synthetic) Standard "EB"	001-63-150-71	001-63-150-71	001-63-150-71
35	10	Diaphragm Disc, Inner	001-63-126-00	001-63-126-00	001-63-126-00
		Diaphragm and Disc Assembly (Synthetic) Standard "EB"	001-63-527-71	001-63-527-71	001-63-527-71
36	5	Diaphragm Pan Assembly Right Hand	001-63-225-00	001-63-225-00	001-63-225-00
		Diaphragm Pan Assembly Left Hand	001-63-425-00	001-63-425-00	001-63-425-00
37	10	Diaphragm Clamping Ring	001-63-581-01	001-63-581-01	001-63-581-01
38	50	Cover Gasket C.R., 5 psig	001-63-164-50	001-63-164-50	001-63-164-50
		Cover Gasket, 10 psig	001-63-164-51	001-63-164-51	001-63-164-51
39	5	Valve Plate (See Valve Plate and Seat Assembly, Item 65)			
40	25	Index Shaft Worm Wheel	001-63-035-01	001-63-035-01	001-63-035-01
42	25	Index Shaft Only	001-63-054-03	001-63-054-03	001-63-054-03
43	100	Diaphragm Screws (#10-24 x 1" Fillister Head Machine with Washer)	001-63-119-00	001-63-119-00	001-63-119-00
44	10	Valve Seat (See Valve Plate and Seat Assembly, Item 65)			
45	20	Valve Guide	001-63-114-00	001-63-114-00	001-63-114-00
46	100	Valve Seat Screws (#10-24 x 7/16" Type I Cross Recessed Pan Head)	950652	950652	950652
47	100	Exhaust Seal Washer	001-63-134-00	001-63-134-00	001-63-134-00
48	10 Sets	Valve Right Hand (Bakelite)	001-63-105-55	001-63-105-04	001-63-105-04
		Valve Left Hand (Bakelite)	001-63-305-55	001-63-305-04	001-63-305-04
49	100	Crank Drive Screw, Headless (1/16" x 5/16")	1191307	1191307	1191307
50	10	Crank and Worm Assembly, Standard	001-63-517-50	001-63-517-04	001-63-517-04
		Crank and Link Assembly, Standard	001-63-516-69	001-63-516-22	001-63-516-22
		Crank and Bracket Assembly, Standard	001-63-504-60	001-63-504-30	001-63-504-30
		Crank and Worm Assembly, Temperature Compensated	001-63-517-51	001-63-517-03	001-63-517-03
		Crank and Link Assembly, Temperature Compensated	001-63-516-70	001-63-516-23	001-63-516-23
		Crank and Bracket Assembly, Temperature Compensated	001-63-504-61	001-63-504-35	001-63-504-35
50A	50	Crank Bushing (Powdered Iron)	001-60-065-03	001-60-065-03	001-60-065-03
51	10	Valve Link	001-63-022-51	001-63-022-04	001-63-022-04
52	10	Crank Bracket and Index Shaft Assembly (Includes 40, 42, 52B)	001-63-404-50	001-63-404-00	001-63-404-00
52A	100	Crank Bracket Screw (#8-32 x 1/16" Fillister Head Machine)	919704	919704	919704
52B		Crank Bracket	001-63-104-50	001-63-104-01	001-63-104-01
53	10	Tangent Assembly, Standard (Includes 53D, 57)	001-61-513-22	001-61-513-22	001-61-513-22
53A	10	Tangent Assembly, Temperature Compensated (Includes 53B, 53C, 53D, 57)	001-63-513-08	001-63-513-08	001-63-513-08
	25	Tangent Arm, Temperature Compensated	001-63-013-00	001-63-013-00	001-63-013-00
		Tangent Arm, Standard	001-63-013-02	001-63-013-02	001-63-013-02
53B	10	Tangent Mounting Block, Temperature Compensated	001-63-294-01	001-63-294-01	001-63-294-01
53C	100	Tangent Mounting Block Screws, Temperature Compensated (#3-56 x 3/16" Binder Head, Stainless Steel)	950433	950433	950433
53D	25	Bushing	001-63-048-01	001-63-048-01	001-63-048-01
		Tangent Post, Standard and Temperature Compensated	001-63-045-03	001-63-045-03	001-63-045-03
		Tangent Lock Nut	001-61-266-00	001-61-266-00	001-61-266-00
		Tangent Locknut, Thin	001-63-266-00	001-63-266-00	001-63-266-00
		Tangent Adjusting Screw	001-63-046-00	001-63-046-00	001-63-046-00



A BTR Company

Models R-200, R-275, R-315 Residential Gas Meter

Table with columns: ILL. NO., PCS. PER PKG., DESCRIPTION, and PART NUMBER (R-200, R-275, R-315). Rows list various components like Washer Brass, Flag Arm and Link Assembly, Tangent Links Nylon, etc.

Equimeter Incorporated, 805 Liberty Boulevard, DuBois, PA 15801

U.S. SALES OFFICES

Representatives in all principal cities — Distributors throughout the world

WESTERN REGIONAL OFFICE

180 North Riverview Drive
Suite 165
Anaheim, California 92808
Telephone (714) 921-9625
FAX (714) 921-0670

SOUTHERN/WESTERN AREA OFFICE

13231 Champion Forest Drive
Suite 211
Houston, Texas 77069
Telephone (713) 893-4888
FAX (713) 893-4334

NORTHERN AREA OFFICE

400 North Lexington Avenue
Pittsburgh, Pennsylvania 15208
Telephone (412) 244-5222
FAX (412) 247-3042

INTERNATIONAL OFFICE

805 Liberty Boulevard
DuBois, Pennsylvania 15801
Telephone (814) 375-8367
FAX (814) 375-8395

CANADIAN AREA OFFICE

805 Liberty Boulevard
DuBois, PA 15801
Telephone 1-800-766-9687
FAX 1-800-766-1778
FAX 814-375-8449



Equimeter Incorporated
805 Liberty Boulevard
DuBois, PA 15801

A BTR Company

Authorized Distributor:

WARRANTY: Equimeter Incorporated (Equimeter) warrants its products only against defects in materials and workmanship. Equimeter's liability and customer's exclusive remedy under this warranty or any warranty extends for a period of one (1) year from the date of Equimeter's shipment and is expressly limited to repayment of the purchase price, repair, or replacement, at Equimeter's option, during said period, upon proof satisfactory to Equimeter and upon customer's returning and prepaying all charges on such products to factory or warehouse designated by Equimeter. THIS WARRANTY IS MADE EXPRESSLY IN LIEU OF ALL OTHER WARRANTIES, EXPRESS, IMPLIED, OR STATUTORY, WITH RESPECT TO QUALITY, MERCHANTABILITY, OR FITNESS FOR A PARTICULAR PURPOSE.