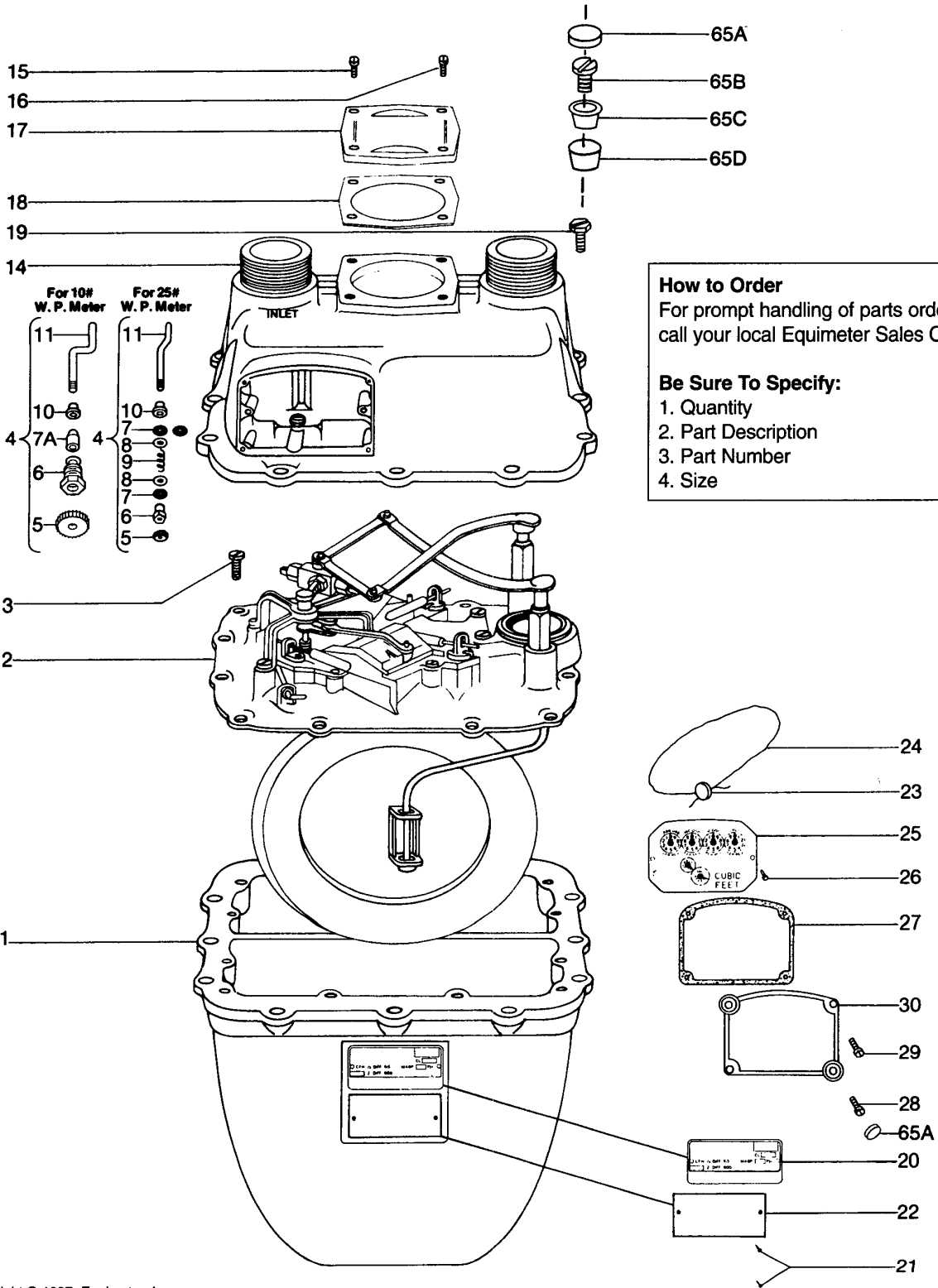




 A member of the BTR Group

Parts List
Model No. 415 and MR-12
Residential Gas Meters

Parts List
MODEL NO. 415 and MR-12
Residential Gas Meters



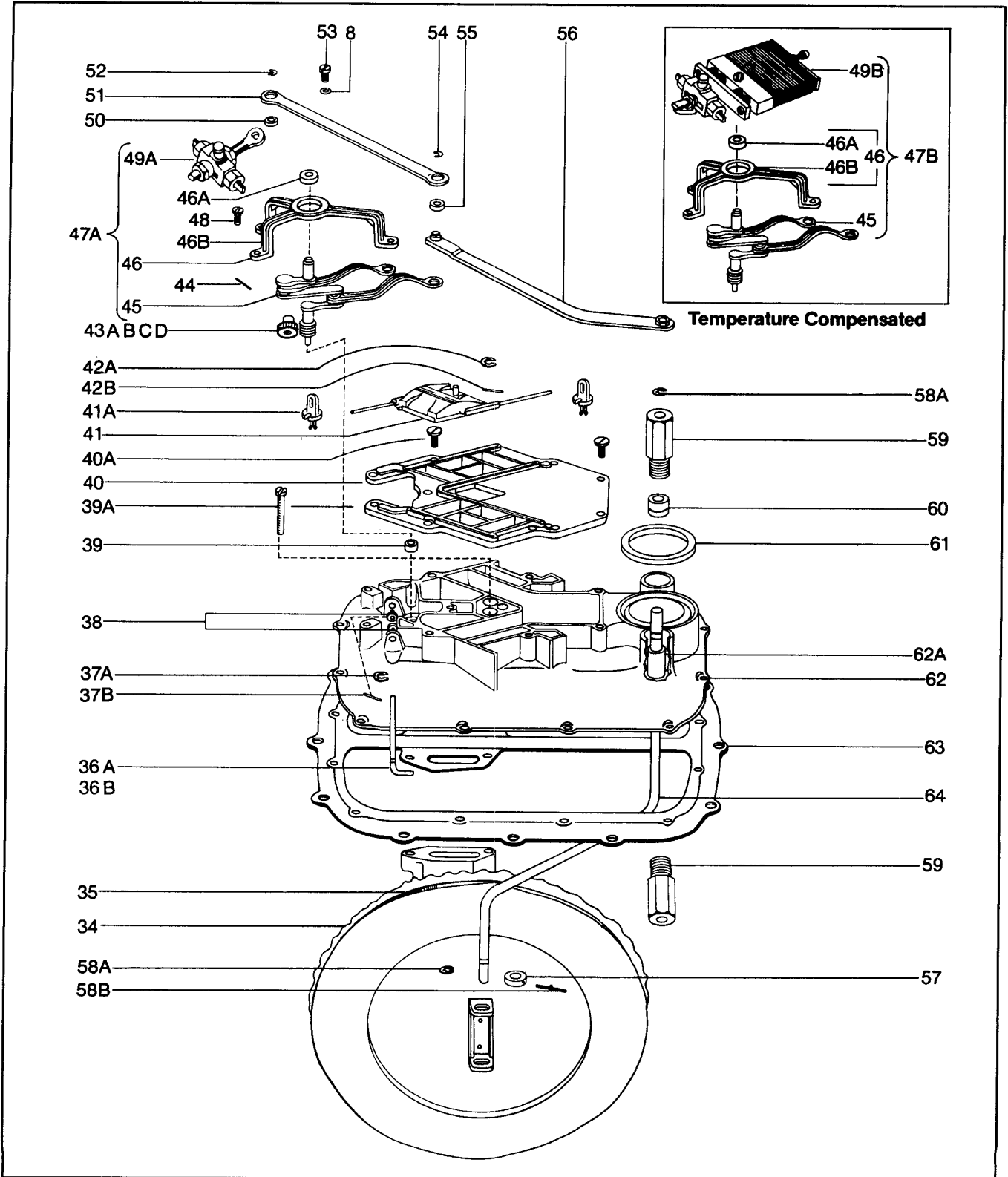
How to Order
 For prompt handling of parts orders call your local Equimeter Sales Office.

Be Sure To Specify:

1. Quantity
2. Part Description
3. Part Number
4. Size

Model 415 and MR-12 Residential Gas Meters

| ILLUSTRATION NUMBER | DESCRIPTION | PART NUMBER |
|----------------------------------|--|---------------|
| 1 | Body-Standard | 001-41-001-20 |
| 1A | Body-25# W.P. | 001-41-001-21 |
| 2 | #415 Module, Non-Temperature Compensated | 001-41-502-70 |
| | #415 Module, Temperature Compensated | 001-41-502-71 |
| | #MR-12 Module, Non-Temperature Compensated | 001-41-502-72 |
| | #MR-12 Module, Temperature Compensated | 001-41-502-73 |
| | #415 Test Meter Module, Non-Temperature Compensated | 001-41-502-74 |
| 3 | Valve Plate Screws (#10 - 24 x 1/2" Fillister Head Machine) | 919755 |
| 4 | Stuffing Box Assembly, 10# W.P. | 001-60-423-11 |
| | Stuffing Box Assembly, 25# W.P. | 001-60-423-00 |
| 5 | Stuffing Box Gear (18 Tooth Threaded) | 001-60-086-07 |
| 6 | Stuffing Box Gland | 001-63-023-00 |
| 7 | Stuffing Box Washer-Synthetic (quantity three) | 001-61-350-01 |
| 7A | Stuffing Box Seal | 001-63-350-00 |
| 8 | Stuffing Box Washer-Metallic | 001-61-062-01 |
| 9 | Stuffing Box Spring | 001-61-121-00 |
| 10 | Stuffing Box Bushing | 001-60-052-62 |
| 10A | Stuffing Box Lubricant | 950505 |
| 11 | Stuffing Box Shaft | 001-60-054-62 |
| 13 | Stuffing Box Nut (Old Style Meter) | 001-41-277-00 |
| 14 | Cover and Stuffing Box Assembly, 10#, 7 inch Center to Center | |
| | 20 LT 1 Ft. (415-10# 7C-C) | 001-41-503-43 |
| | 30 LT 1 Ft. (415-10# 7C-C) | 001-41-503-92 |
| | 45 LT 1 Ft. (415-10# 7C-C) | 001-41-503-90 |
| | 1 1/4 NPT 1 Ft. (415-10# 7C-C) | 001-41-503-42 |
| | 1-A Spr. 1 Ft. (415-10# 7C-C) | 001-41-503-47 |
| | 2 Spr. 1 Ft. (415-10# 7C-C) | 001-41-503-44 |
| | 3 Spr. 1 Ft. (415-10# 7C-C) | 001-41-503-45 |
| | 20 LT 2 Ft. (415-10# 7C-C) | 001-41-503-81 |
| | 30 LT 2 Ft. (415-10# 7C-C) | 001-41-503-82 |
| | 45 LT 2 Ft. (415-10# 7C-C) | 001-41-503-80 |
| | 1 1/4 NPT 2 Ft. (415-10# 7C-C) | 001-41-503-83 |
| | 1-A Spr. 2 Ft. (415-10# 7C-C) | 001-41-503-87 |
| | 2 Spr. 2 Ft. (415-10# 7C-C) | 001-41-503-84 |
| 3 Spr. 2 Ft. (415-10# 7C-C) | 001-41-503-86 | |
| 14 | Cover and Stuffing Box Assembly, 10#, 8 1/4 Inch Center to Center | |
| | 20 LT 1 Ft. (415-10# 8 1/4 C-C) | 001-41-203-16 |
| | 30 LT 1 Ft. (415-10# 8 1/4 C-C) | 001-41-203-22 |
| | 45 LT 1 Ft. (415-10# 8 1/4 C-C) | 001-41-203-21 |
| | 1 1/4 NPT 1 Ft. (415-10# 8 1/4 C-C) | 001-41-203-24 |
| | 1-A Spr. 1 Ft. (415-10# 8 1/4 C-C) | 001-41-203-19 |
| | 2 Spr. 1 Ft. (415-10# 8 1/4 C-C) | 001-41-203-17 |
| | 3 Spr. 1 Ft. (415-10# 8 1/4 C-C) | 001-41-203-18 |
| | 20 LT 2 Ft. (415-10# 8 1/4 C-C) | 001-41-203-03 |
| | 30 LT 2 Ft. (415-10# 8 1/4 C-C) | 001-41-203-04 |
| | 45 LT 2 Ft. (415-10# 8 1/4 C-C) | 001-41-203-02 |
| | 1 1/4 NPT 2 Ft. (415-10# 8 1/4 C-C) | 001-41-203-05 |
| | 1-A Spr. 2 Ft. (415-10# 8 1/4 C-C) | 001-41-203-08 |
| | 2 Spr. 2 Ft. (415-10# 8 1/4 C-C) | 001-41-203-06 |
| 3 Spr. 2 Ft. (415-10# 8 1/4 C-C) | 001-41-203-07 | |



Model 415 and MR-12 Residential Gas Meters

| ILLUSTRATION NUMBER | DESCRIPTION | PART NUMBER |
|----------------------------------|---|------------------|
| 14 | Cover and Stuffing Box Assembly, 25#, 7 inch Center to Center | |
| | 20 LT 1 Ft. (415-25# 7C-C) | 001-41-503-74 |
| | 30 LT 1 Ft. (415-25# 7C-C) | 001-41-503-72 |
| | 45 LT 1 Ft. (415-25# 7C-C) | 001-41-503-70 |
| | 1 1/4 NPT 1 Ft. (415-25# 7C-C) | 001-41-503-71 |
| | 1-A Spr. 1 Ft. (415-25# 7C-C) | 001-41-503-41 |
| | 2 Spr. 1 Ft. (415-25# 7C-C) | 001-41-503-79 |
| | 3 Spr. 1 Ft. (415-25# 7C-C) | 001-41-503-85 |
| | 20 LT 2 Ft. (415-25# 7C-C) | 001-41-503-61 |
| | 30 LT 2 Ft. (415-25# 7C-C) | 001-41-503-62 |
| | 45 LT 2 Ft. (415-25# 7C-C) | 001-41-503-60 |
| | 1 1/4 NPT 2 Ft. (415-25# 7C-C) | 001-41-503-63 |
| | 1-A Spr. 2 Ft. (415-25# 7C-C) | 001-41-503-67 |
| | 2 Spr. 2 Ft. (415-25# 8 1/4 C-C) | 001-41-503-64 |
| 3 Spr. 2 Ft. (415-25# 8 1/4 C-C) | 001-41-503-66 | |
| 14 | Cover and Stuffing Box Assembly, 25#, 8 1/4 Inch Center to Center | |
| | 20 LT 1 Ft. (415-25# 8 1/4 C-C) | 001-41-203-47 |
| | 30 LT 1 Ft. (415-25# 8 1/4 C-C) | 001-41-203-53 |
| | 45 LT 1 Ft. (415-25# 8 1/4 C-C) | 001-41-203-52 |
| | 1 1/4 NPT 1 Ft. (415-25# 8 1/4 C-C) | 001-41-203-55 |
| | 1-A Spr. 1 Ft. (415-25# 8 1/4 C-C) | 001-41-203-50 |
| | 2 Spr. 1 Ft. (415-25# 8 1/4 C-C) | 001-41-203-48 |
| | 3 Spr. 1 Ft. (415-25# 8 1/4 C-C) | 001-41-203-49 |
| | 20 LT 2 Ft. (415-25# 8 1/4 C-C) | 001-41-203-34 |
| | 30 LT 2 Ft. (415-25# 8 1/4 C-C) | 001-41-203-35 |
| | 45 LT 2 Ft. (415-25# 8 1/4 C-C) | 001-41-203-33 |
| | 1 1/4 NPT 2 Ft. (415-25# 8 1/4 C-C) | 001-41-203-36 |
| | 1-A Spr. 2 Ft. (415-25# 8 1/4 C-C) | 001-41-203-39 |
| | 2 Spr. 2 Ft. (415-25# 8 1/4 C-C) | 001-41-203-37 |
| 3 Spr. 2 Ft. (415-25# 8 1/4 C-C) | 001-41-203-38 | |
| 15 | Hand Hole Plate Screw (#10-24 x 9/16" Fillister Head) | 950325 |
| 16 | Hand Hole Plate Seal Screw | 001-60-056-06 |
| 17 | Hand Hole Plate | 001-60-004-00 |
| 18 | Hand Hole Plate Gasket | 001-63-160-50 |
| 19 | Cover Screw (5/16-18 x 5/8" Hexagonal Washer Head) 10 PSI Only | 951018 |
| 19A | Cover Screw (5/16-18 x 1 1/4" Long Hexagonal Cap Screw) 25 PSI Only | 910031 |
| 19B | Cover Nut (5/16-18 Heavy Hexagonal Nut) 25 PSI Only | 903859 |
| 20 | Stamped Manufacturing Name Plate (10# W.P. Standard) 415 Meter | 001-41-030-97555 |
| | Stamped Manufacturing Name Plate (10# W.P. Temperature Compensated) 415 Meter | 001-41-030-94555 |
| | Stamped Manufacturing Name Plate (25# W.P. Standard) 415 Meter | 001-41-030-98555 |
| | Stamped Manufacturing Name Plate (25# W.P. Temperature Compensated) 415 Meter | 001-41-030-95555 |
| | Stamped Manufacturing Name Plate (10# W.P. Standard) MR12 Meter | 001-41-030-78555 |
| | Stamped Manufacturing Name Plate (25# W.P. Standard) MR12 Meter | 001-41-030-79555 |
| | Stamped Manufacturing Name Plate (10# W.P. Standard) RC415 Meter | 001-41-026-25555 |
| 21 | Drive Screw (#2 x 1/8" Brass) | 903003 |
| 22 | Customer Name Plate - Blank Aluminum | 001-63-029-96 |
| 23 | Seal | 001-60-157-00 |
| 24 | Seal Wire 12" Long | 001-63-057-50 |
| | Seal Wire 18" Long | 001-63-057-51 |
| | Seal Wire 28" Long | 001-63-057-52 |

Model 415 and MR-12 Residential Gas Meters

| ILLUSTRATION NUMBER | DESCRIPTION | PART NUMBER |
|---------------------|--|---------------|
| 25 | Index C.R. (2' - 1/2') Standard | 001-41-539-05 |
| | Index C.R. (2' - 1/2') Temperature Compensated | 001-41-539-15 |
| | Index D.R. (5 Wheel) (2' - 1/2') Standard | 001-41-538-62 |
| | Index D.R. (5 Wheel) (2' - 1/2') Temperature Compensated | 001-41-538-63 |
| | Index D.R. (4 Wheel) (2' - 1/2') Standard | 001-41-538-68 |
| | Index D.R. (4 Wheel) (2' - 1/2') Temperature Compensated | 001-41-538-69 |
| | Index Metric D.R. (5 Wheel) (.01-.05 M ³) Standard with Black Face | 001-63-538-74 |
| | Index Metric D.R. (5 Wheel) (.01-.05 M ³) Standard with White Face | 001-63-538-99 |
| | Index Metric D.R. (6 Wheel) (.05 M ³) Standard | 001-63-538-64 |
| | Index Metric D.R. (6 Wheel) (.05 M ³) Temperature Compensated | 001-63-538-65 |
| 26 | Mounting Ser. (#6-32 x 5/8" Fillister Head) Plastic Index | 919657 |
| 27 | Index Box Gasket | 001-63-170-02 |
| 28A | Index Box Screw (#10-24 x 1/16" Fillister Head) For Rockseal Box | 950525 |
| 28B | Index Box Screw (#10-24 x 1/16" Fillister Head) | 950326 |
| 29A | Index Box Seal Screws for Rockseal Box | 001-63-056-06 |
| 29B | Index Box Seal Screw | 001-60-056-14 |
| 30A | Index Box, Rockseal (Shown) | 001-63-006-05 |
| 30B | Index Box | 001-60-006-09 |
| 34 | Diaphragm Assembly Right Hand (Synthetic) | 001-41-550-71 |
| | Diaphragm Assembly Left Hand (Synthetic) | 001-41-650-71 |
| 34A | Diaphragm Fabric (Synthetic) | 001-41-150-71 |
| 34B | Diaphragm Bracket | 001-63-103-50 |
| 34C | Diaphragm Bracket Rivets | 902435 |
| 34D | Diaphragm & Disc Assembly (Synthetic) | 001-41-527-71 |
| 34E | Diaphragm Pan Assembly (Outer) Right Hand | 001-41-525-05 |
| | Diaphragm Pan Assembly (Outer) Left Hand | 001-41-625-05 |
| 34F | Diaphragm Inner Disc | 001-41-126-01 |
| 34G | Diaphragm Outer Disc | 001-41-127-01 |
| 35 | Clamping Band Assembly | 001-63-581-01 |
| 36A | Index Shaft, Standard 415 Meter | 001-41-054-03 |
| 36B | Index Shaft, 415 Test and MR12 Meters | 001-41-054-04 |
| 37A | Index Shaft Retaining Ring Truarc X5133-11ZD | 950801 |
| 37B | Index Shaft Pin (Old Style) | 001-60-058-00 |
| 38 | Index Shaft Bushing | 001-61-052-10 |
| 39 | Crank Bearing, See Item 62 | 001-60-065-03 |
| 39A | Diaphragm Mounting Screw (#10-24 x 1" Fillister Head) | 919759 |
| 40 | Valve Seat, Plastic, See Item 62 | |
| 40A | Valve Seat Screw (#8-32 x 7/16" Truss Head) See Item 62 | 950047 |
| 41 | Valve Set, Right Hand & Left Hand (Teflon Filled) | 001-41-405-05 |
| 41A | Valve Guide, Plastic | 001-63-114-00 |
| 42A | Valve Cover Retaining Ring Truarc X5133-18ZD | 902439 |
| 42B | Valve Post Pin (Old Style) | 003-50-121-00 |
| 43A | Index Shaft Worm Wheel, Celcon with "D" Flat 415 Meter | 001-41-035-06 |
| 43B | Index Shaft Worm Wheel, Celcon (Old Style) 415 Meter | 001-41-035-05 |
| 43C | Index Shaft Worm Wheel, Set Screw Assembly (Old Style) MR-12 Meter | 001-41-135-07 |
| 43D | Index Shaft Worm Wheel, Set Screw Assembly, 415 Test Meter, MR-12 Test Meter | 001-41-135-01 |
| 43E | Index Shaft Worm Wheel, Celcon with "D" Flat, MR-12 Meter | 001-41-035-09 |

Model 415 and MR-12 Residential Gas Meters

| ILLUSTRATION NUMBER | DESCRIPTION | PART NUMBER |
|---------------------|--|---------------|
| 44 | Worm Wheel Pin (Old Style) Use With Item 43B | 001-60-058-01 |
| 45A | Crank,Worm & Link Assembly, Standard & Temperature Compensated | 001-41-516-10 |
| 45B | Crank, Worm & Link Assembly for MR-12 Meter | 001-41-516-18 |
| 45C | Crank, Worm & Link Assembly for Test Meter | 001-41-516-11 |
| 46 | Crank Bracket Assembly | 001-41-604-04 |
| 46A | Crank Bracket Bushing | 001-41-068-05 |
| 46B | Crank Bracket | 001-41-104-01 |
| 47A | Tangent, Crank & Bracket Assembly | 001-41-504-07 |
| 47B | Tangent, Crank & Bracket Assembly, Temperature Compensated | 001-41-504-22 |
| 47C | Tangent, Crank & Bracket Assembly, MR-12, Temperature Compensated | 001-41-504-24 |
| 48 | Crank Bracket Screw (#8-32 x 1/2" Fillister Head) | 919705 |
| 49A | Tangent Assembly | 001-41-513-00 |
| 49B | Tangent Assembly, Temperature Compensated with "D" Hole | 001-41-513-08 |
| 50A | Tangent Arm | 001-41-013-00 |
| 50B | Tangent Post | 001-41-045-00 |
| 50C | Tangent Adj. Screw | 001-41-046-00 |
| 50D | Tangent Lock Nut | 001-63-266-00 |
| 50E | Tangent Post Bushing | 001-41-048-02 |
| 51 | Tangent Link | 001-41-020-00 |
| 52 | Post Retaining Ring Truarc X5133-18ZD | 902439 |
| 53 | Tangent Crank Screw (#3-56 x 3/16" Binder Head) | 950433 |
| 54 | Flag Arm Retaining Ring Truarc X5133-18ZD | 902439 |
| 55 | Flag Arm Stud Bushing | 001-60-061-05 |
| 56 | Flag Arm Assembly Right Hand | 001-41-111-02 |
| | Flag Arm Assembly Left Hand | 001-41-311-02 |
| | Flag Arm & Link Assembly Right Hand | 001-41-511-02 |
| | Flag Arm & Link Assembly Left Hand | 001-41-611-02 |
| 57 | Flag Collar Old Style | 001-60-292-50 |
| 58A | Flag Rod Retaining Ring Truarc X5133-25ZD New Style | 904680 |
| 58B | Flag Collar Pins (1/16 x 3/16" Type 5 Groove) (Old Style) (Use with 57) | 904115 |
| 59 | Flag Rod Gland | 001-60-012-02 |
| 60 | Flag Rod Seal | 001-63-276-00 |
| 61 | Exhaust Seal Washer | 001-41-134-02 |
| 62A | Valve Plate Assembly (includes Items 36, 37A, 38, 39, 40, 40A, 43A, 59 and 60) | 001-41-602-10 |
| 62B | Valve Plate Assembly, MR-12 Meter (Includes Items 36, 37A, 38, 39, 40, 40A, 43C, 44A, 59 and 60) | 001-41-602-12 |
| 62C | Valve Plate Assembly, Test Meter (Includes Items 36, 37A, 38, 39, 40, 40A, 43D, 44A, 59 and 60) | 001-41-602-08 |
| 63 | Cover Gasket, 10# Meter | 001-41-164-02 |
| | Cover Gasket, 25# Meter | 001-41-164-04 |
| 64 | Flag Rod Assembly Right Hand | 001-41-142-05 |
| | Flag Rod Assembly Left Hand | 001-41-342-05 |
| 65A | Rockseal Button | 001-63-056-05 |
| 65B | Rockseal Screw (#10-24 x .69 Round Head) | 950532 |
| 65C | Rockseal Spacer Bushing | 001-63-053-01 |
| 65D | Rockseal Cap | 001-63-057-02 |

Equimeter Incorporated, 805 Liberty Boulevard, DuBois, PA 15801
(814) 371-8000
FAX (814) 375-8460

Representatives in all principal cities.
Distributors throughout the world.



Equimeter Incorporated
805 Liberty Boulevard
P.O. Box 528
DuBois, PA 15801



A member of the BTR Group



Authorized Distributor:

LIMITED WARRANTY Seller warrants the Goods to be free from defects in materials manufactured by Seller and in Seller's workmanship for a period of [one (1) year] after tender of delivery (the "Warranty Period"). **THIS LIMITED WARRANTY (a) IS IN LIEU OF, AND SELLER DISCLAIMS AND EXCLUDES, ALL OTHER WARRANTIES, STATUTORY, EXPRESS OR IMPLIED, INCLUDING, WITHOUT LIMITATION, ANY WARRANTY OF MERCHANTABILITY OR FITNESS FOR A PARTICULAR PURPOSE, OR OF CONFORMITY TO MODELS OR SAMPLES;** (b) does not apply to any Goods which have been (i) repaired, altered or improperly installed; (ii) subjected to improper use or storage; (iii) used or incorporated with other materials or equipment, after Buyer or anyone using the Goods has, or reasonably should have, knowledge of any defect or nonconformance of the Goods; or (iv) manufactured, fabricated or assembled by anyone other than Seller; (c) shall not be effective unless Buyer notifies Seller in writing of any purported defect or nonconformance within [thirty (30) days] after Buyer discovers or should have reasonably discovered such purported defect or nonconformance; and (d) shall only extend to Buyer and not to any subsequent buyers or users of the Goods. Buyer shall provide Seller access to the Goods as to which Buyer claims a purported defect or nonconformance; upon request by Seller, Buyer shall, at its own risk and expense, promptly return the Goods in question to Seller's Plant.